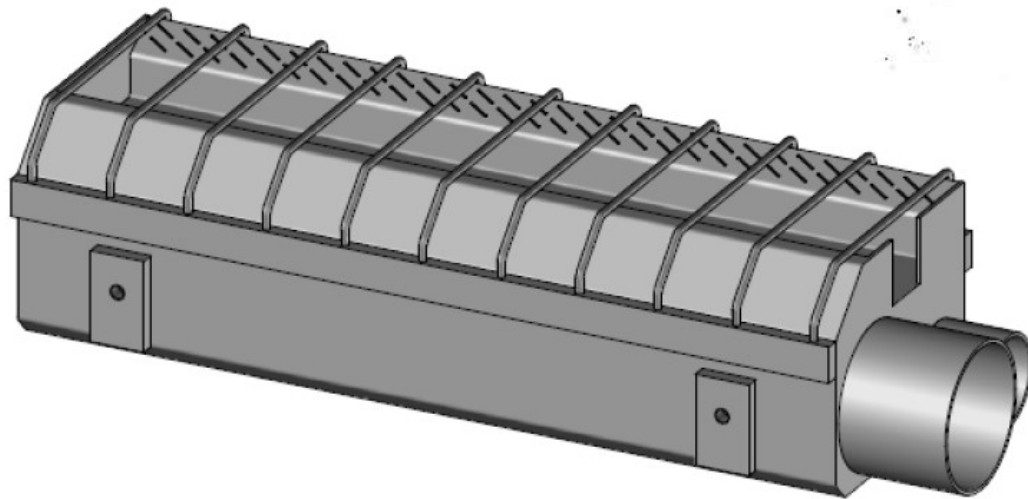
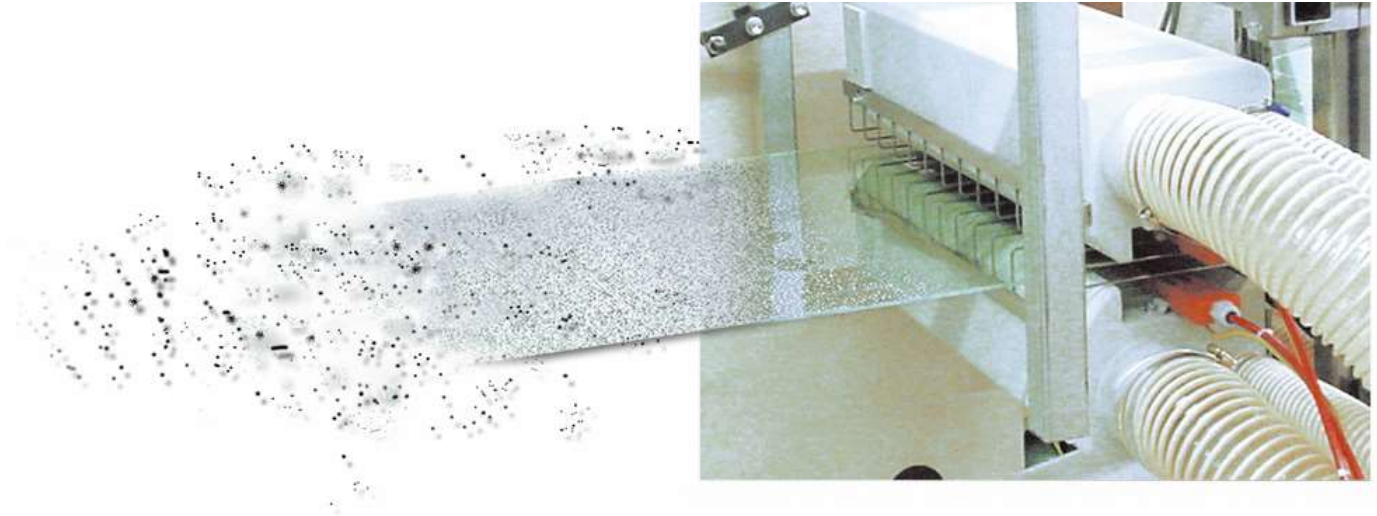




Dust elimination

System for contactless removal of coarse particles and fine dusts on surfaces, even on high production speeds, such as paper, cardboard, or foils.

Single or double-sided cleaning with integrated ionization to eliminate unwanted electrostatic charges during the cleaning process.



SPENGLER ELECTRONIC AG
SWITZERLAND

Strehlgasse 5 | CH-4105 Biel-Benken
www.spengler.ag | info@spengler.ag
Telefon: +41 (0)61 721 36 96



Principle

- A low pressured high volume air flow, creates a wide working range, which is effective over the full width of the cleaning nozzle. Works with web speeds up to 900 m/min.
- Turbulent air flow (2) picks up all loose particles, even on rough surfaces.
- Ionizer (3) gets rid of electrostatic charges during cleaning process. Electrostatically charged particles can be easily removed.
- The AC High-voltage field of the Ionizer (4) creates micro vibrations, which helps to remove even smallest particles from the medium.
- Low pressure areas on both sides of the cleaning nozzle (5) , prevents particles to contaminate the surrounding area. Can be used in clean room environments.

