

## POLIMETAL

POLIMETAL is the high performance universal corona treatment line completely designed and manufactured in Italy. It is equipped with **special ceramic electrodes** and rollers. It is usable with all types of materials, conductives and non-conductives: plastic and metallised films, paper and aluminium foils and also laminates.



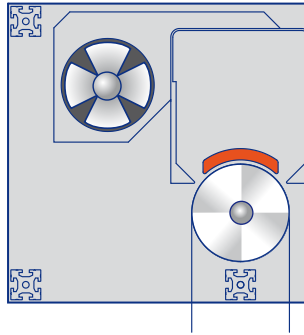
### APPLICATIONS

Extrusion coating, Flexographic and Rotogravure Printing, high speed Laminating and Coating lines.

### MODELS

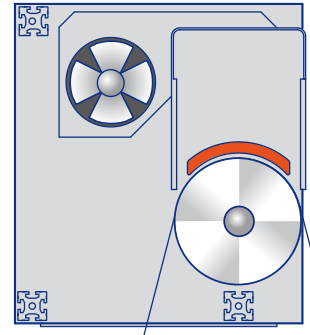
#### ■ POLIMETAL KAPPA UNO

For all converting applications with speeds up to 300 m/min



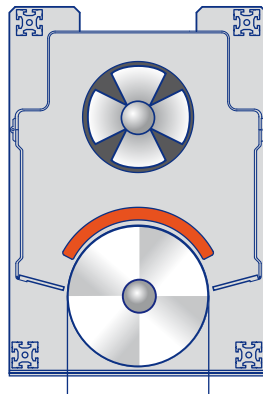
#### ■ POLIMETAL KAPPA PLUS UNO

The most versatile. For speeds up to 450 m/min.



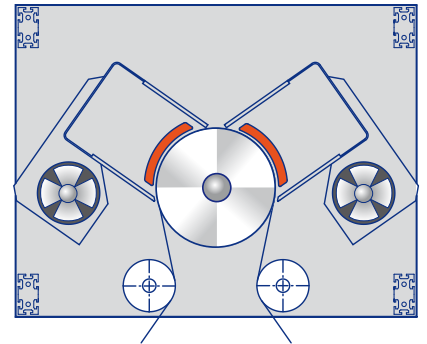
#### ■ POLIMETAL KAPPA PLUS XL

For materials which are more difficult to treat and for speeds up to 500 m/min



#### ■ POLIMETAL KAPPA PLUS DUE

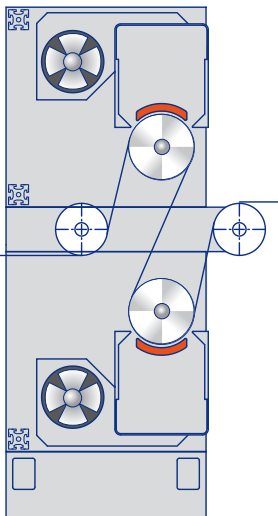
The fastest, for speeds up to 600 m/min



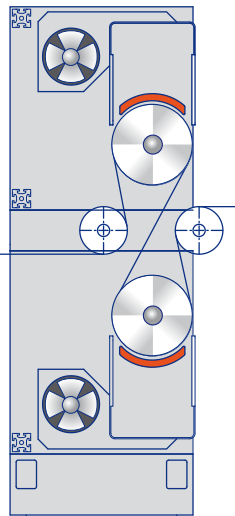
### DOUBLE-SIDED TREATMENT

All Polimetal models are available in the double-sided version

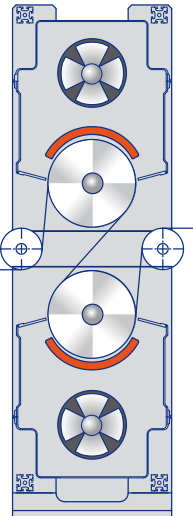
#### ■ Double-sided KAPPA UNO 150



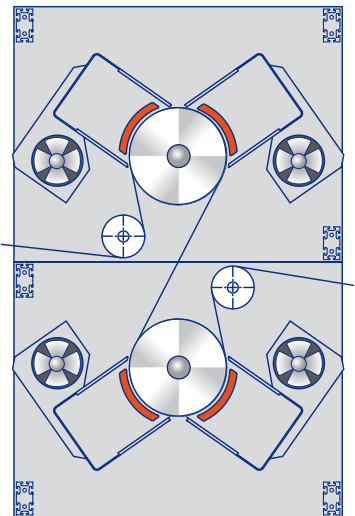
#### ■ Double-sided KAPPA PLUS UNO



#### ■ Double-sided KAPPA PLUS XL



#### ■ Double-sided KAPPA PLUS DUE



**CHARACTERISTICS**

- **Ceramic covered discharge rollers:** the diameter of the roller varies according to the model (150 mm; 200 mm; 250 mm; 265 mm)
- **Ceramic electrodes:** the number of electrodes varies according to the model and in function of the line speed
- **Air-gap adjustment** system that acts on the electrode from the outside ensuring fast accurate set up
- **Quick electrode removal system** for easy and fast maintenance
- Special supports assure a **uniform air-gap** all width long
- Open design gives **ease of access** and ensures that only the electrodes are subjected to ozone

**OPTIONS**

All Polimetal models are available with the following **options**: integrated motorization, extended shaft for drive, pressure roller to avoid the back-side treatment effect, idler rollers and structures for mounting.

**APPLICATIONS**

Polimetal, thanks to its compact design, can easily be installed on any converting line and in any position. In the photo: example of application on Laminating line.

**CONTACTS**

Via del Commercio, 22 - 26014 Romanengo (CR) - Italy  
Tel. +39 0373 729272 - [info@ferben.com](mailto:info@ferben.com) - [www.ferben.com](http://www.ferben.com)