

Spectrophotometer

MYIRO-1

Advanced color management with simple operation.
Introducing a next-generation color management tool.



Wireless connection for greater flexibility

Wireless connection untethers you for improved handling and stress-free measurements and data transfer.

Data under multiple conditions from just one scan

A single scan can provide data under M0, M1, and M2 or other illumination conditions for improved adjustment efficiency.

Helps improve printing quality

Helps improve color reproduction quality to contribute to acquiring high added value printing work.

Innovative, user-friendly & accurate

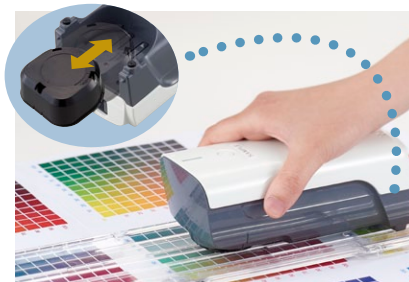


Increases the efficiency of day-to-day printer color adjustment by allowing you to take measurements where you want to, such as right where the printed materials come out.

1 Print



2 Scan



The calibration cap can be stored under the instrument when taking measurements.

3 Automatic data transfer



Data can be transferred wirelessly to a computer. Separate software required.

Main specifications

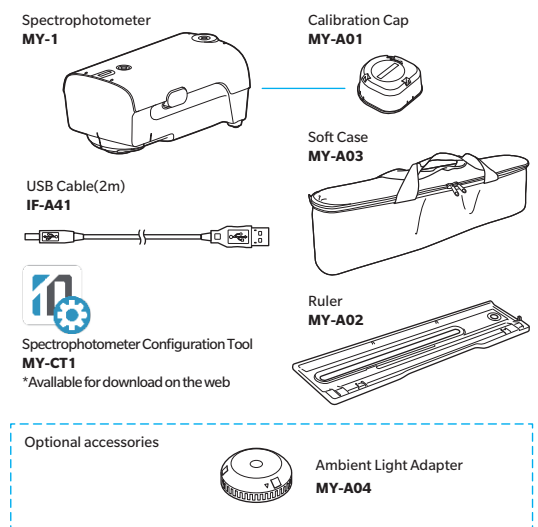
Model	Spectrophotometer MYIRO-1 MY-1
Illumination/ viewing system	45°a: 0°(annular illumination)*1 Conforms to CIE No. 15, ISO 13655, DIN 5033 Teil 7, ASTM E 1164, and JIS Z 8722 Condition a for reflectance measurements.
Spectral separation device	Concave grating
Wavelength range	Spectral reflectance: 380 to 730 nm; Spectral irradiance: 360 to 730 nm
Wavelength pitch	10 nm
Half bandwidth	Approx. 10 nm
Measurement area	Ø3.5 mm
Light source	LED
Measurement range	Density: 0.0D to 2.5D; Reflectance: 0 to 150%
Repeatability	Colorimetric: Within $\sigma \Delta E00$ 0.05 (When white plate is measured 30 times at 10-second intervals after white calibration has been performed)
Inter-instrument agreement	Within $\Delta E00$ 0.3 (Average of 12 BCRA Series II color tiles compared to values measured with a master body under manufacturer's standard conditions)
Measurement time (single-point measurement)	Approx. 1s
Measurement conditions *2	M0 (CIE Illuminant A), M1 (CIE Illuminant D50), M2 (illumination with UV-cut), User-defined illuminant
Observers	2° Standard Observer, 10° Standard observer
Status indicator	LED to indicate instrument status
Interface	Wireless LAN (IEEE 802.11 b/g/n)*3; USB2.0
Scanning measurements	Scanning measurement of a color chart can be performed. (Values under all illumination conditions can be obtained with single scan)
Power	USB bus power; Rechargeable internal battery
Dimensions (W×D×H)	73 mm × 171 mm × 71 mm
Weight	Approx. 340 g
Operating temperature / humidity range	10 to 35°C, 30 to 85% relative humidity with no condensation
Storage temperature / humidity range	0 to 45°C, 0 to 85% relative humidity with no condensation

*1 Illumination for wavelengths under 400 nm is unidirectional.

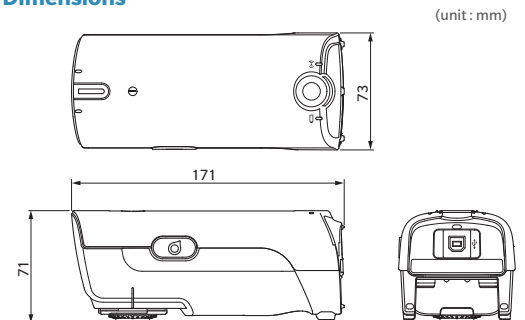
*2 M0, M1, M2: Illumination conditions defined in ISO 13655 4.2.2 Illumination requirements and measurement.

*3 This instrument is compatible with WPA2-PSK (WPA2-Personal).

System Diagram



Dimensions



- Displays shown are for illustration purpose only.
- The specifications and drawings given here are subject to change without prior notice.

SAFETY PRECAUTIONS



For correct use and for your safety, be sure to read the instruction manual before using the instrument.

- Always connect the instrument to the specified power supply voltage. Improper connection may cause a fire or electric shock.

For additional information, please visit:

<https://www.myiro.com>

• Sales contact: