

## Removes hickeys while printing

The fully automatic FlexoCleanPick plate cleaning system eliminates hickeys in just a few seconds, with the press in production. It has many features that will enhance your productivity, operator safety and printing quality.

### Enhanced printing quality

The FlexoCleanPick is developed to meet the highest of demands for flawless flexo corrugated print quality. It's many technical features secure clean plates throughout the printing process.

### Increased production uptime

At any time during production, the system can remove hickeys from the plate in just a few seconds, while the print units stay closed and coupled. Automatic cleaning and low maintenance enable shorter make-ready times and more uptime, increasing your productivity and optimizing the return on your investment.

### Features for maximum cleaning efficiency

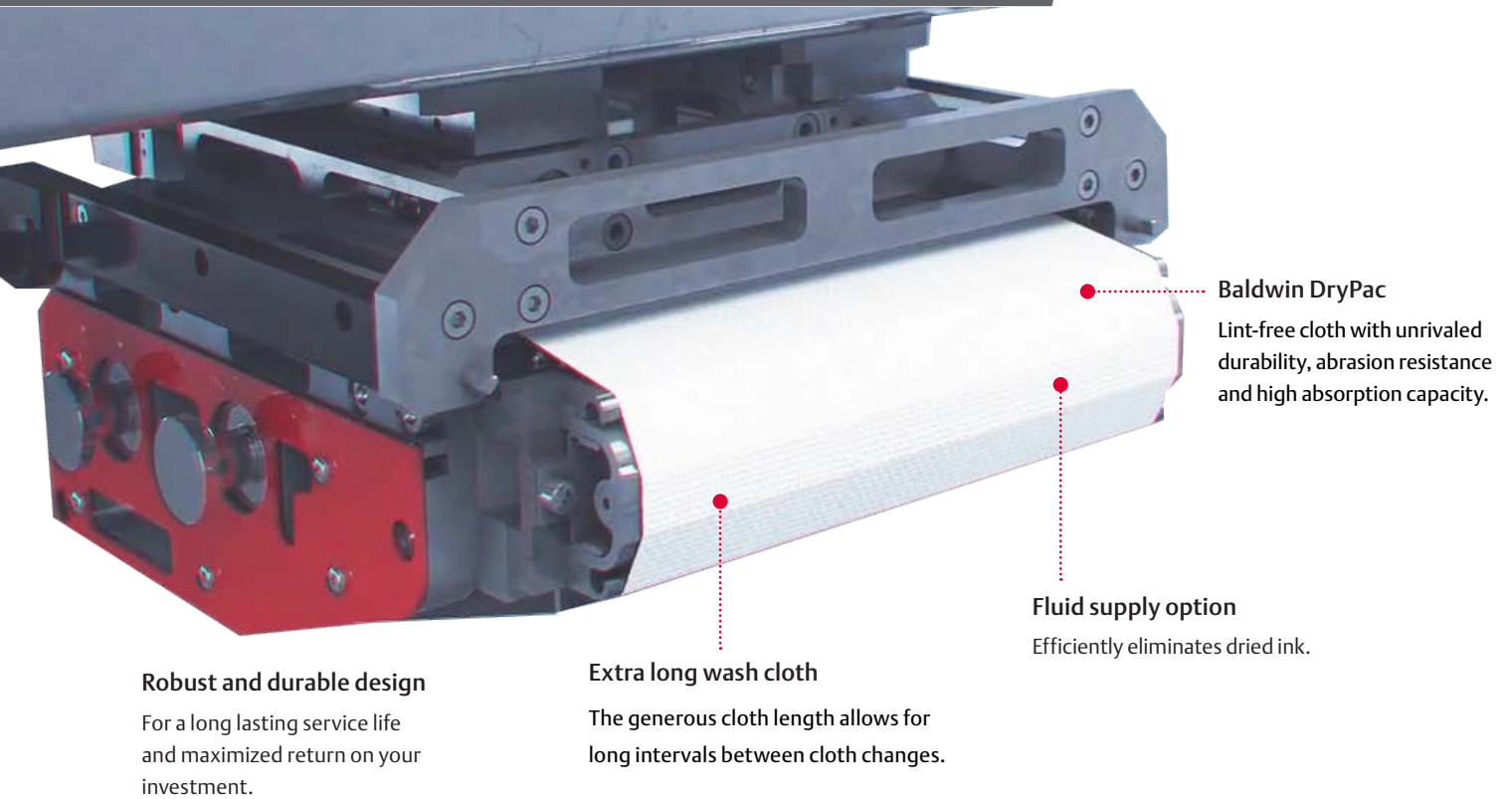
The full plate width is covered thanks to a traversing cloth wash head. Preset cleaning zone programs save time and make it easy to operate. There are multiple cleaning modes available for enhanced cleaning efficiency in any production condition.



Automatic Breakaway design of cleaning head keeps it safe from damages.

### Increased operator health and safety

Since there is no need for manual cleaning with risk for work related injuries or unhealthy cleaning chemicals, your operating staff will be ensured a safe and healthy environment.



### Robust and durable design

For a long lasting service life and maximized return on your investment.

### Extra long wash cloth

The generous cloth length allows for long intervals between cloth changes.

### Fluid supply option

Efficiently eliminates dried ink.

### Baldwin DryPac

Lint-free cloth with unrivaled durability, abrasion resistance and high absorption capacity.

## Designed for enhanced printing quality and maximized uptime

### Features

- Traversing wash cloth head – Full width coverage
- Breakaway design keeps cleaning head safe from damage
- Multiple cleaning modes; Continuous, Spot, Intense spot, etc.
- Automatic plate thickness adjustment
- Optimized wash cloth length
- Cleaning zone presetting programs
- Optional Fluid supply
- CE and UL compliant for safety and reliability

### Benefits

- Increased production uptime
- Shorter make-ready times
- Enhanced printing quality
- Reduced waste
- Increased operator health and safety
- Fast cloth change – Low maintenance
- Maximized ROI

### Baldwin – Always at your service

Baldwin has a large number of highly skilled Service engineers ready to support your installation for years to come, and always close at hand. With vast production expertise of over 40 years, Baldwin offers planning, 3D design and equipment installation at your production site. You can rely on Baldwin service expertise to maximize the lifetime of your equipment with outstanding results.

### Contact

Email: [info@baldwintech.com](mailto:info@baldwintech.com)

For regional contacts please visit [baldwintech.com](http://baldwintech.com)

### Follow

